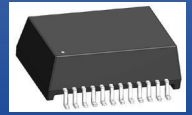


10/100/1000 BASE-T Single Port SMD LAN Transformer Module



ALANS10001



18.4 x 12.4 x 6.5 mm
14.0 x 15.5 x 5.7 mm
RoHS/RoHS II Compliant
MSL = 1

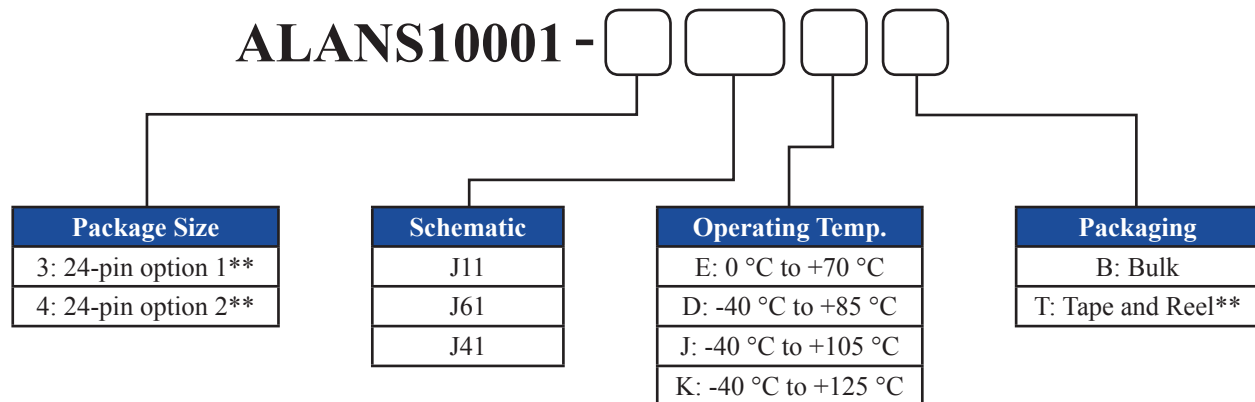
Features

- Meets IEEE 802.3ab standards
- Compatible with 10 BASE-T, 100 BASE-TX and 1000 BASE-T
- Operating temperature range up to -40°C to +125°C
- RoHS Compliant
- High performance magnetics for EMI suppression and common mode noise rejection
- Multiple schematic and pinout options 0.99mm and 1.27mm pin pitch for the 24-pin package size
- 1CT:1CT TX and RX Transformers

Applications

- Fast and gigabit Ethernet
- Servers, switches and routers
- IP cameras, surveillance, and phone
- Access points
- Industrial computers and robotics
- Networking and communications
- Broadcast video
- Set top box

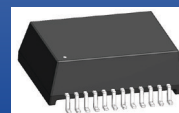
Part Identification



**Package size "3: 24-pin option 1": T= 400 pcs/reel

**Package size "4: 24-pin option 2": T= 550 pcs/reel

10/100/1000 BASE-T Single Port SMD LAN Transformer Module



ALANS10001



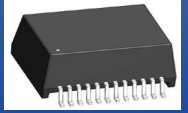
18.4 x 12.4 x 6.5 mm
14.0 x 15.5 x 5.7 mm
RoHS/RoHS II Compliant
MSL = 1

Electrical Specifications at 25°C

Part Number	Insertion Loss (dB Max)	Return Loss (dB Min)				Crosstalk (dB Min)			CMRR (dB Min)			DCMR (dB Min)		
	0.1-100 MHz	1-40 MHz	60 MHz	80 MHz	100 MHz	30 MHz	60 MHz	100 MHz	30 MHz	60 MHz	100 MHz	30 MHz	60 MHz	100 MHz
ALANS10001-3J11	0.8	18	15	12	10	42	38	34	40	36	32	46	38	31
ALANS10001-3J61	0.8	18	15	12	10	42	38	34	40	36	32	46	38	31
ALANS10001-3J41	0.8	18	15	12	10	42	38	34	40	36	32	46	38	31
ALANS10001-4J11	0.8	18	15	12	10	42	38	34	40	36	32	46	38	31
ALANS10001-4J61	0.8	18	15	12	10	42	38	34	40	36	32	46	38	31
ALANS10001-4J41	0.8	18	15	12	10	42	38	34	40	36	32	46	38	31

Part Number	Inductance (uH Min)	Leakage Inductance (uH Max)	Interwinding Capacitance (pF Max)	DC Resistance (Ω Max)		Hi Pot (VDC)
	@100kHz, 0.1V, 8mA DC Bias	@100kHz, 0.1V TD to MX	@100kHz, 0.1V TD to MX	Primary	Secondary	0.5mA/6 sec.
ALANS10001-3J11	350	0.35	35	0.9	1.2	2500
ALANS10001-3J61	350	0.35	35	1.2	0.9	2500
ALANS10001-3J41	350	0.35	35	0.9	1.2	2500
ALANS10001-4J11	350	0.35	35	0.9	1.2	2500
ALANS10001-4J61	350	0.35	35	1.2	0.9	2500
ALANS10001-4J41	350	0.35	35	1.2	0.9	2500

10/100/1000 BASE-T Single Port SMD LAN Transformer Module



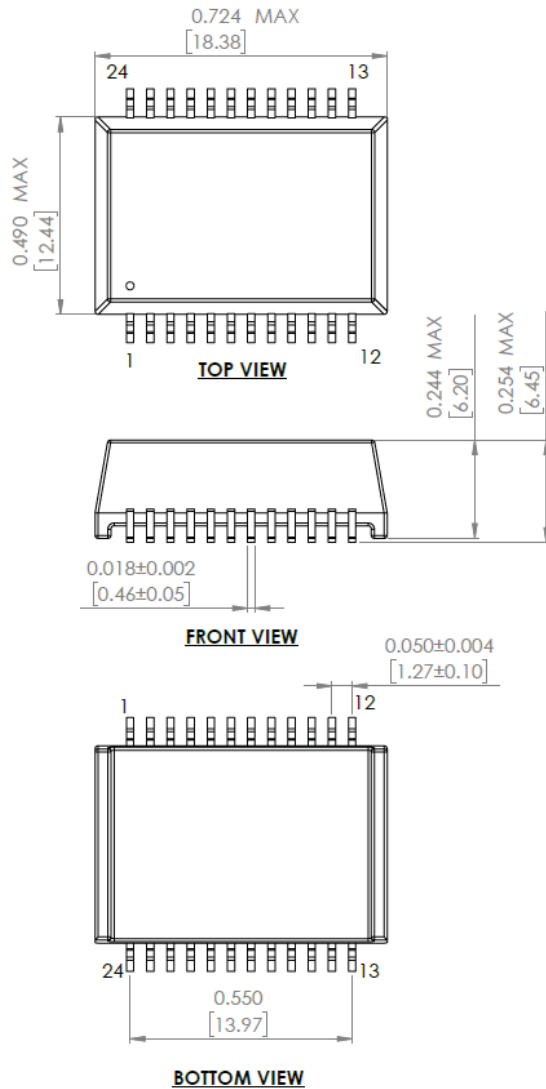
ALANS10001



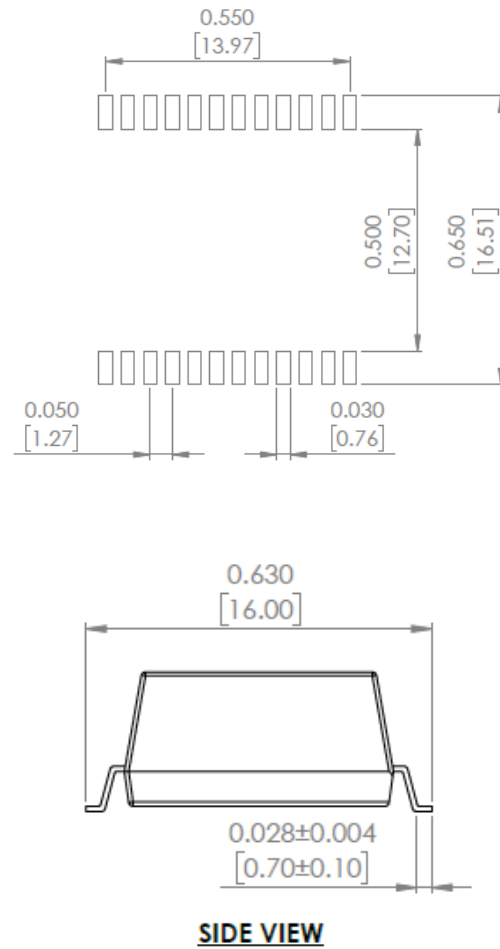
18.4 x 12.4 x 6.5 mm
14.0 x 15.5 x 5.7 mm
RoHS/RoHS II Compliant
MSL = 1

Mechanical Dimensions

3: 24-pin option 1



RECOMMENDED LAND PATTERN



Unless otherwise specified, all tolerances are ±0.25 in mm
Dimensions: inch/ [mm]

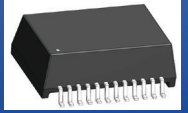


5101 Hidden Creek Ln Spicewood TX 78669
Phone: 512-371-6159 | Fax: 512-351-8858
For terms and conditions of sales, please visit:
www.abracon.com

REVISED: 05-10-19

ABRACON IS
ISO9001-2015
CERTIFIED

10/100/1000 BASE-T Single Port SMD LAN Transformer Module



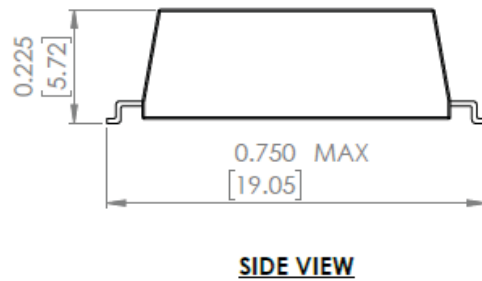
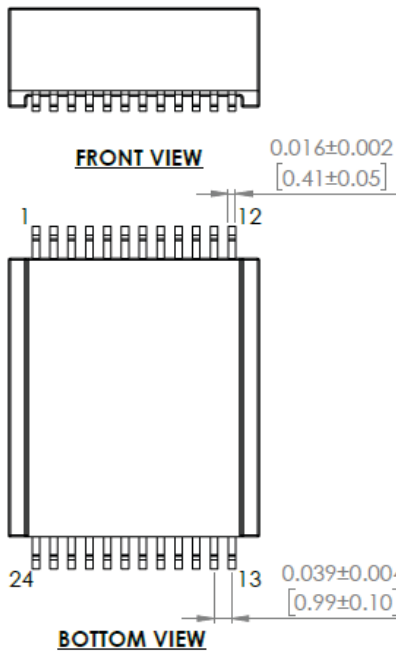
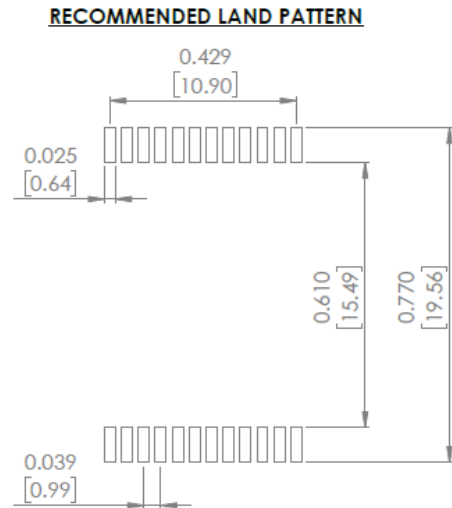
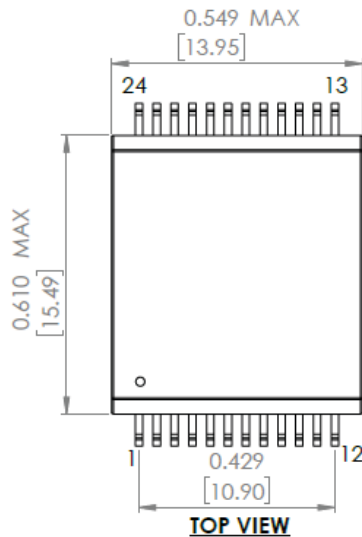
ALANS10001



18.4 x 12.4 x 6.5 mm
14.0 x 15.5 x 5.7 mm
RoHS/RoHS II Compliant
MSL = 1

Mechanical Dimensions

4: 24-pin option 2



Unless otherwise specified, all tolerances are ± 0.25 in mm
Dimensions: inch/ [mm]

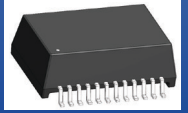


5101 Hidden Creek Ln Spicewood TX 78669
Phone: 512-371-6159 | Fax: 512-351-8858
For terms and conditions of sales, please visit:
www.abracon.com

REVISED: 05-10-19

ABRACON IS
ISO9001-2015
CERTIFIED

10/100/1000 BASE-T Single Port SMD LAN Transformer Module



ALANS10001

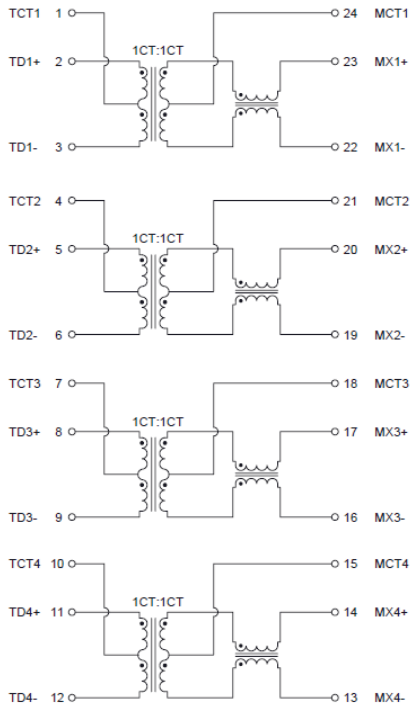


18.4 x 12.4 x 6.5 mm
14.0 x 15.5 x 5.7 mm
RoHS/RoHS II Compliant
MSL = 1

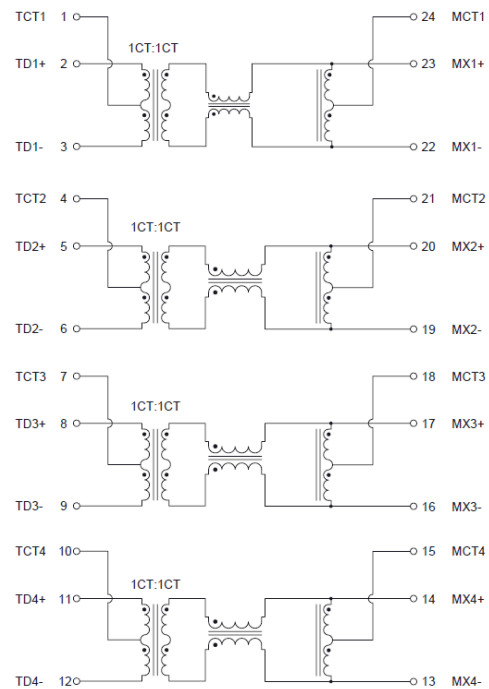
Schematics

24-Pin

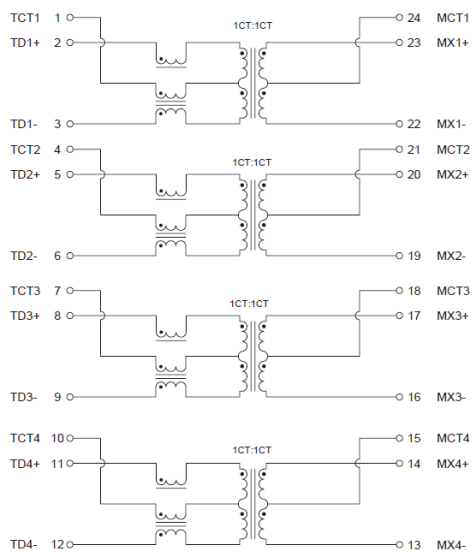
J11



J41



J61



Contact Abracon for additional options.

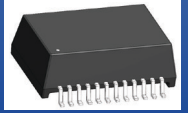


5101 Hidden Creek Ln Spicewood TX 78669
Phone: 512-371-6159 | Fax: 512-351-8858
For terms and conditions of sales, please visit:
www.abracon.com

REVISED: 05-10-19

ABRACON IS
ISO9001-2015
CERTIFIED

10/100/1000 BASE-T Single Port SMD LAN Transformer Module

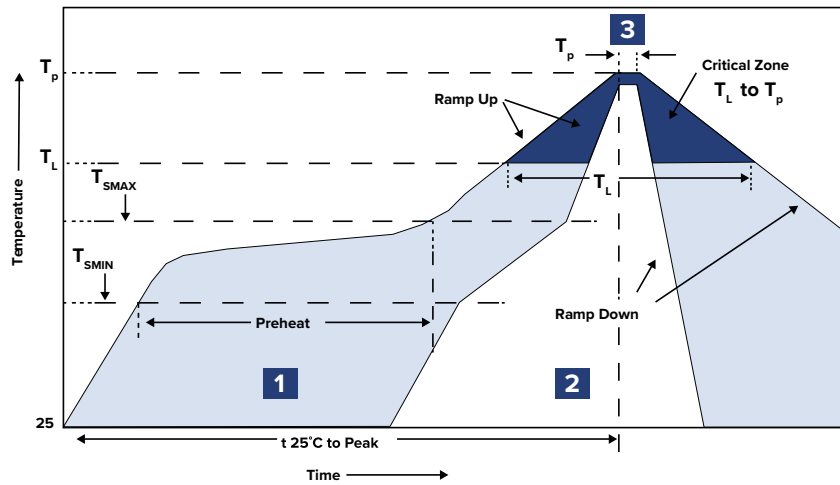


ALANS10001



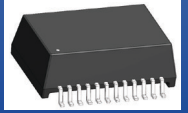
18.4 x 12.4 x 6.5 mm
 14.0 x 15.5 x 5.7 mm
 RoHS/RoHS II Compliant
 MSL = 1

Reflow Profile



Zone	Description	Temperature	Time
1	Preheat / Soak	$T_{SMIN} \sim T_{SMAX}$ 150°C ~ 180°C	60 ~ 120 sec.
2	Reflow	T_L 217°C	30 ~ 40 sec.
3	Peak heat	T_P 245°C ± 5°C	10 sec. MAX

10/100/1000 BASE-T Single Port SMD LAN Transformer Module



ALANS10001

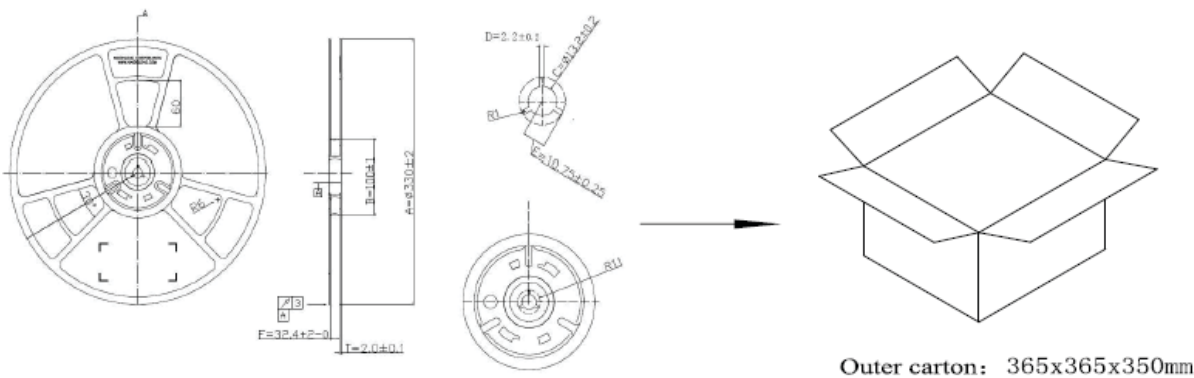
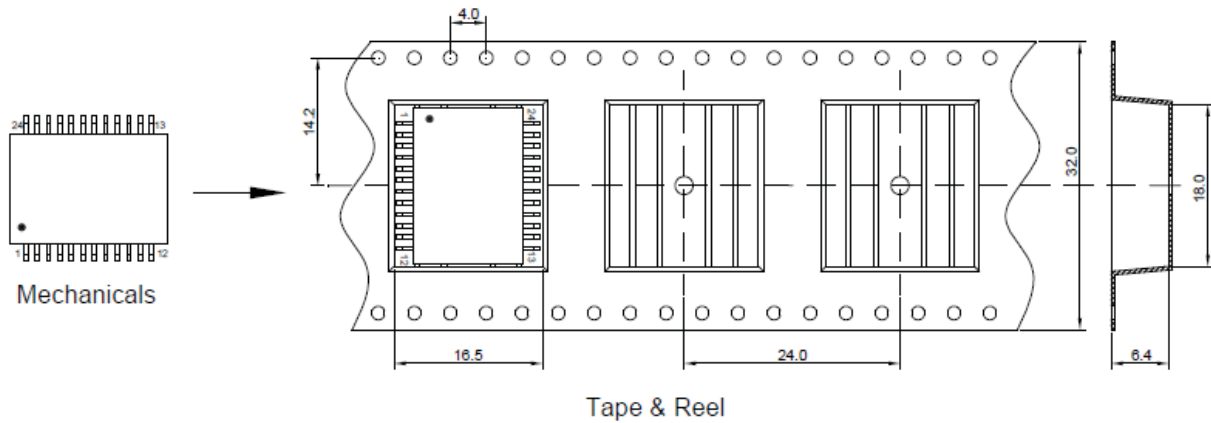


18.4 x 12.4 x 6.5 mm
14.0 x 15.5 x 5.7 mm
RoHS/RoHS II Compliant
MSL = 1

Packaging

Package size option 3:

Tape and Reel: 400 pcs/reel
Pieces per Carton: 3200
T&R per Carton: 8
Weight per Carton: 13.6kg
Weight per Piece: 2.65g



Dimensions: mm

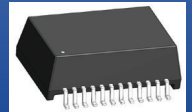


5101 Hidden Creek Ln Spicewood TX 78669
Phone: 512-371-6159 | Fax: 512-351-8858
For terms and conditions of sales, please visit:
www.abracon.com

REVISED: 05-10-19

ABRACON IS
ISO9001-2015
CERTIFIED

10/100/1000 BASE-T Single Port SMD LAN Transformer Module



ALANS10001

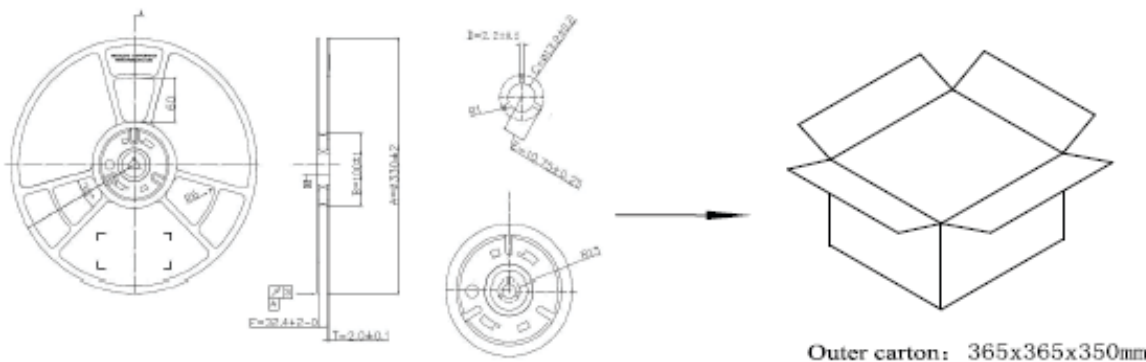
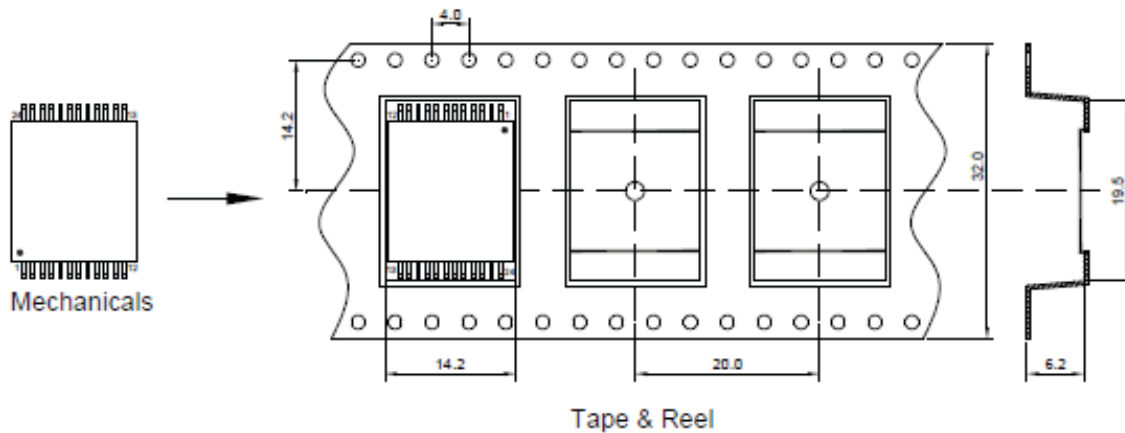


18.4 x 12.4 x 6.5 mm
14.0 x 15.5 x 5.7 mm
RoHS/RoHS II Compliant
MSL = 1

Packaging

Package size option 4:

Tape and Reel: 550 pcs/reel
Pieces per Carton: 4400pcs
T&R per Carton: 8
Weight per Carton: 12.7kg
Weight per Piece: 1.75g



Dimensions: mm

ATTENTION: Abracon LLC's products are COTS – Commercial-Off-The-Shelf products; suitable for Commercial, Industrial and, where designated, Automotive Applications. Abracon's products are not specifically designed for Military, Aviation, Aerospace, Life-dependent Medical applications or any application requiring high reliability where component failure could result in loss of life and/or property. For applications requiring high reliability and/or presenting an extreme operating environment, written consent and authorization from Abracon LLC is required. Please contact Abracon LLC for more information.



5101 Hidden Creek Ln Spicewood TX 78669
Phone: 512-371-6159 | Fax: 512-351-8858
For terms and conditions of sales, please visit:
www.abracon.com

REVISED: 05-10-19

ABRACON IS
ISO9001-2015
CERTIFIED